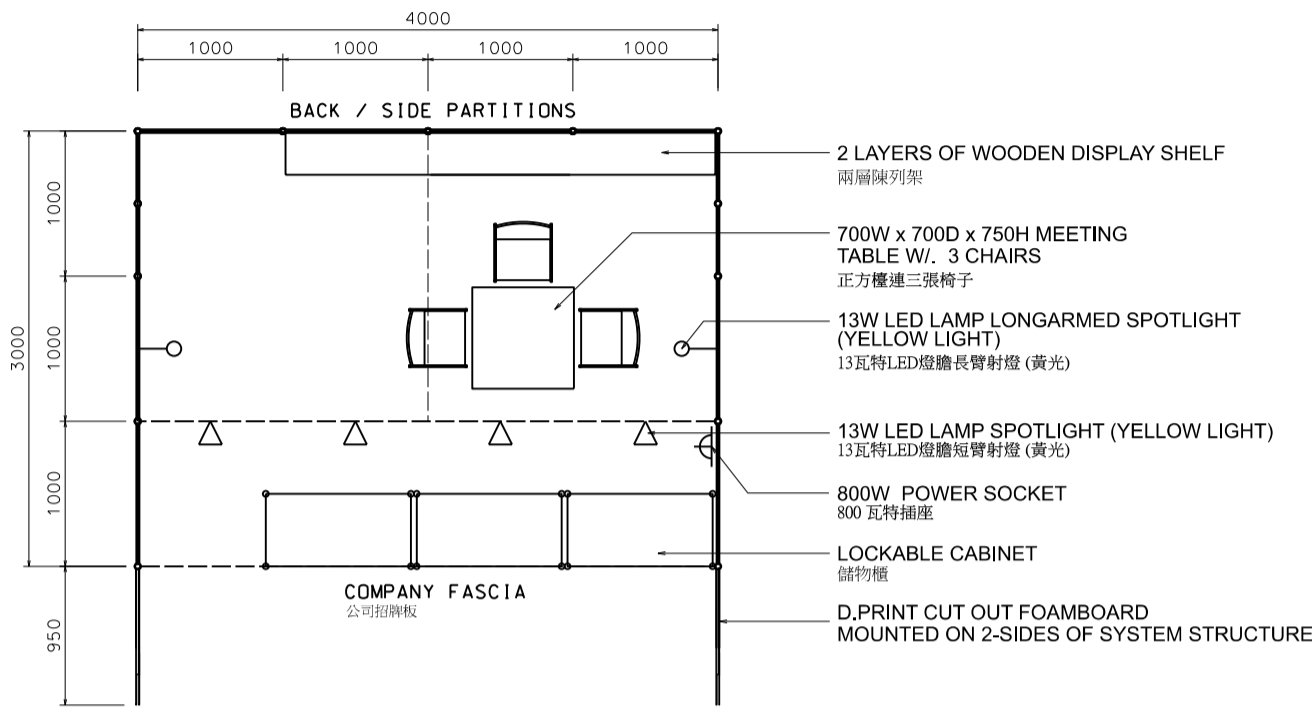
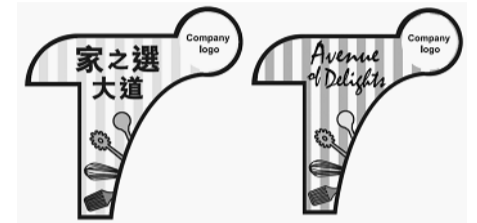


4M x 3M Special Zone Booth

四米乘三米特級攤位

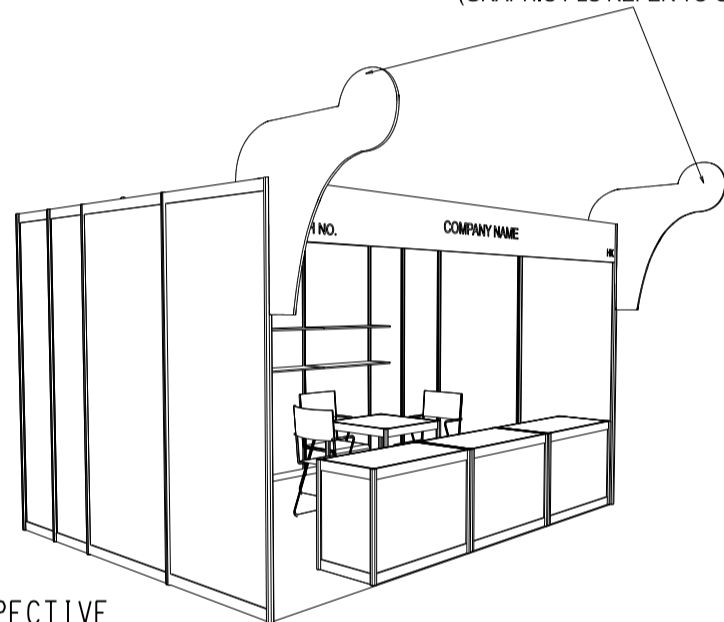


PLAN
平面圖



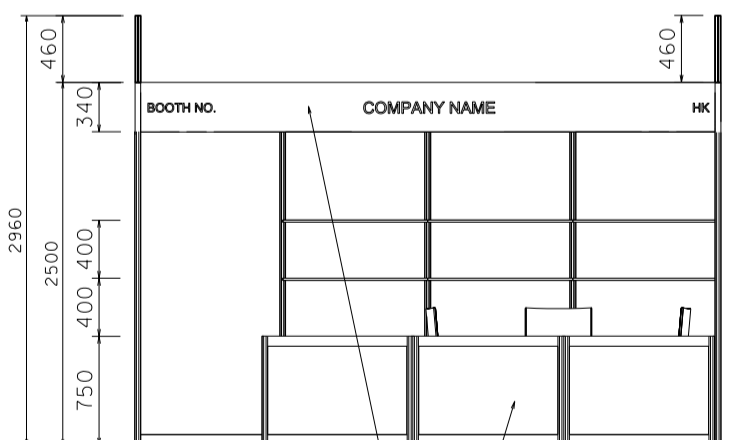
*(IMAGE FOR REFERENCE ONLY)

D.PRINT CUT OUT FOAMBOARD MOUNTED ON 2-SIDES OF SYSTEM STRUCTURE (GRAPHIC PLS REFER TO GRAPHIC DWG)

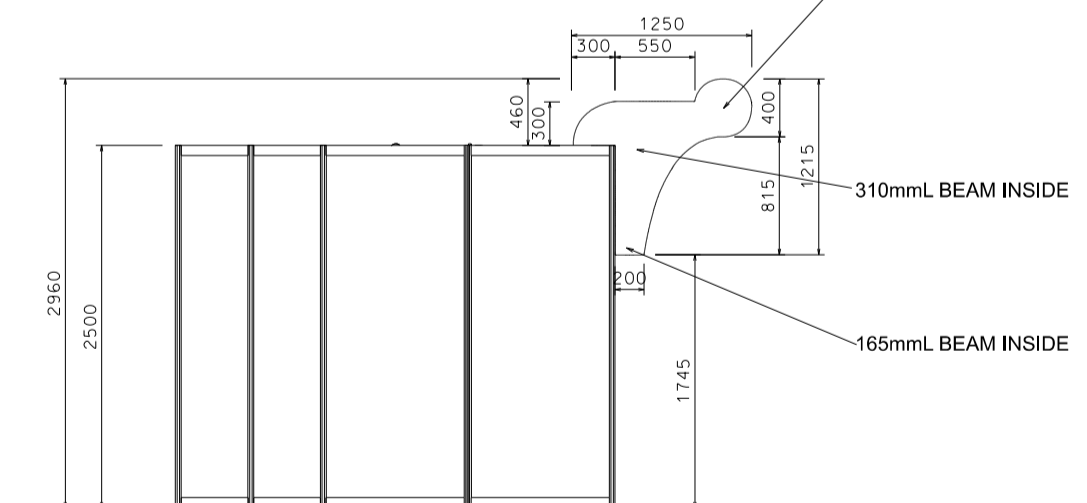


PERSPECTIVE
透視圖

D.PRINT CUT OUT FOAMBOARD MOUNTED ON 2-SIDES OF SYSTEM STRUCTURE (GRAPHIC PLS REFER TO GRAPHIC DWG)

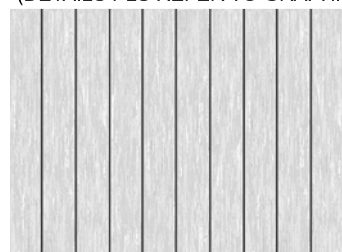


ELEVATION
立面圖



SIDE ELEVATION
側面立面圖

D.PRINT STICKER
*(DETAILS PLS REFER TO GRAPHIC DWG)



*(IMAGE FOR REFERENCE ONLY)

BOOTH SPECIFICATIONS		QTY.
	1000W x 500D x 750H LOCKABLE CABINET 儲物櫃	3
	3000W x 300D WOODEN DISPLAY SHELF 陳列架	2
	700W x 700D x 750H MEETING TABLE 正方檯	1
	BLACK LEATHER CHAIR 椅子	3
	13W LED LAMP SPOTLIGHT (YELLOW LIGHT) 13瓦特LED燈膽短臂射燈 (黃光)	4
	13W LED LAMP LONGARMED SPOTLIGHT (YELLOW LIGHT) 13瓦特LED燈膽長臂射燈 (黃光)	2
	800W SOCKET 800瓦特插座	1
	CEILING BEAM 天花橫樑	6M
RUBBISH BIN & CARPET (12sqm.) 垃圾桶 & 地毯		

*The Hong Kong Trade Development Council reserves the right to change the configuration if necessary.

*如有需要，香港貿易發展局有權更改攤位結構。